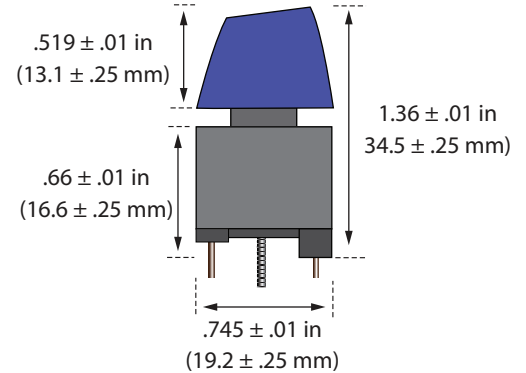




SERIES KBLP SWITCH

- ◇ Dry Reed
- ◇ Hermetically Sealed Contacts
- ◇ Low Contact Resistance
- ◇ Life Expectancy in the Millions
 - ◇ Momentary Action
- ◇ Low Bounce Characteristics
 - ◇ PC Board Mount
- ◇ Ideal for Dry Circuits or Higher Current Applications



All standard switch forms shown below.

ELECTRICAL SPECIFICATIONS

Contact Rating: -3 watts resistive. 4 V.A. non-inductive.
.25 A, 125V. max. rating.

Contact Bounce: 500 microseconds max.

Contact Resistance: 200 milliohms max.

Insulation Resistance: 10⁸ Megohms

Operating Temp: -55 to +150 degrees C.

Life Expectancy: 50 million operations

MECHANICAL SPECIFICATIONS

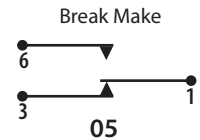
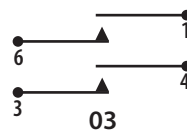
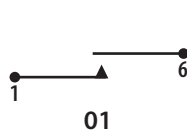
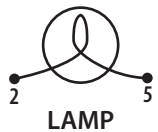
Switch Case: Self extinguishing plastic -ABS

External Switch Terminals: Weldable or solderable

KBLP

Pre-travel min	.062 (1.57)
Over travel	.020 (0.51)
Total travel	5/32 (3.97)

STANDARD SWITCH FORMS



TYPICAL ORDERING PATTERN

KBLP - XX - XXX - XX.X - XX - XXXX - XX

FORM	KEYCAP	LAMP VOLTAGE	OPERATING PRESSURE	KEYCAP COLOR	MOUNTING TYPE
01 SPST-NO	-II -IJ -IJT -J -JJ -JT -JJT **-GM **-HM	NOTE:1 05.0 12.0 14.0 28.0	-01 2.5 oz. (71) -02 4.0 oz. (113) -03 6.0 oz. (170)	09 = White 09A = Off-White 09BL = III. White 10 = Black 11 = Red/Orange 11BL = III. Fire Engine Red 11C = Brick Red/Brown 12 = Dark Green 12BL = III. Green	FL
03 DPST-NO	-K -L -M** -N** -NNN*** -BM -R -B			13 = Dark Blue 13A = Med. Blue 13BL = III. Light Blue 13CL = III. Dark Blue 14 = Dark Grey 14A = Med. Grey 14B = Light Grey 17 = Yellow/Gold 17AL = III. Canary Yellow	
05 SPDT-BM					

NOTE:

1. XX.X Designates Lamp Socket with No Bulb
00.0 No Bulb, No Socket
2. Refer to Keycap Spec. Sheet for measurements.
3. Numbers which include "L" must be used for illuminated switches.
4. ** Not recommended for illumination.
5. Measurements printed in parenthesis are metric.

GEORGE RISK INDUSTRIES, INC.
802 S. Elm St.
KIMBALL, NE 69145



Made in U.S.A.

TOLL-FREE 1-800-445-5218
TOLL-FREE 1-800-523-1227
(308) 235-4645
FAX (308) 235-2609
E-MAIL: doug@grisk.com

WWW.GRISK.COM