

# Push Button Plunger Switch

WWW.GRISK.COM



## *PB / PBF Series*



- ◆ Recessed magnetic contact
  - ◆ PB is 9/16" press fit
- ◆ PBF is 3/4" x 1 1/2" with screw down flange
- ◆ Adjustable screw plunger, travel distance total .270, pre-travel is .090 ± .040
  - ◆ 12" #22AWG leads or screw terminals
- ◆ Longer leads, zip cords or jacketed cable upon request
  - ◆ Hermetically sealed
  - ◆ Plated contacts resist sticking or freezing
  - ◆ Spacers and mounting hardware included
- ◆ Built-in E.O.L. Resistors and Diodes upon request
  - ◆ Colors: white and brown
  - ◆ Lifetime Warranty



### Part Numbers

	<u>Closed Loop</u>	<u>Open Loop</u>	<u>SPDT</u>
Without Flange	PB-100 PB-100T	PB-101 PB101T	PB-102
With Flange	PBF-100 PBF-100T	PBF-101 PBF-101T	PBF-102

## INSTALLATION APPLICATIONS

The push button or plunger actuated PB series was developed as a direct replacement of an existing and problematic mechanical type contact. The PBF flange push button can be installed without re-drilling or redesigning the original installation. The sealed contacts of the reed switch insure a long service life. Plunger actuated reed switches have become so popular on new installations that many variations are now being produced. The PB-100 is a press fit design and eliminates the screw mounted flange. A terminal connection is offered on most models and this option can be added by including a T at the end of the part number - for example PB-100-T.

**Important Note:** GRI's push button contacts are not recommended for the bottom track of windows or doors.

**WARRANTY:** Lifetime warranty against workmanship, material and factory defects.

GEORGE RISK INDUSTRIES, INC.  
G.R.I. PLAZA  
KIMBALL, NE 69145  
WWW.GRISK.COM



Made in U.S.A.

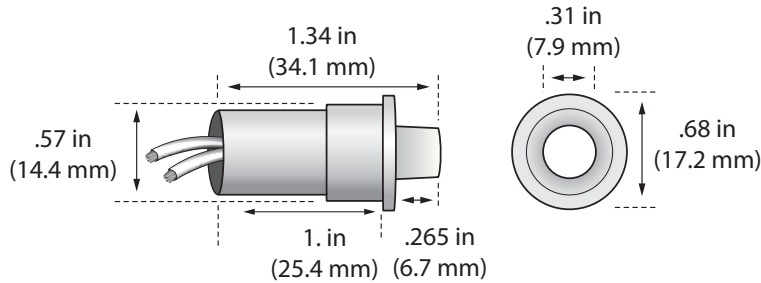
TOLL-FREE 1-800-445-5218  
TOLL-FREE 1-800-523-1227  
(308) 235-4645  
FAX (308) 235-3561  
E-MAIL: sales@grisk.com

# Push Button Plunger Switch

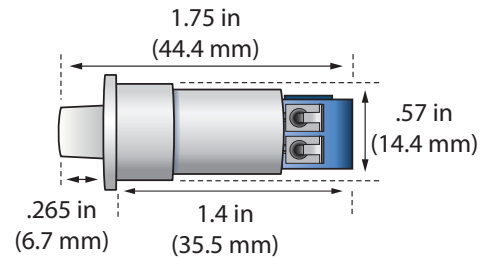
WWW.GRISK.COM



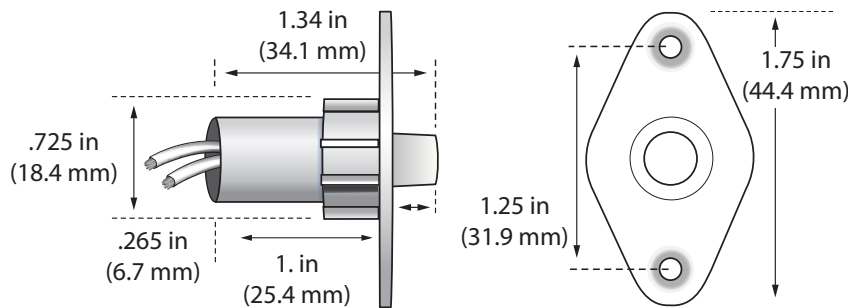
**PB-100**



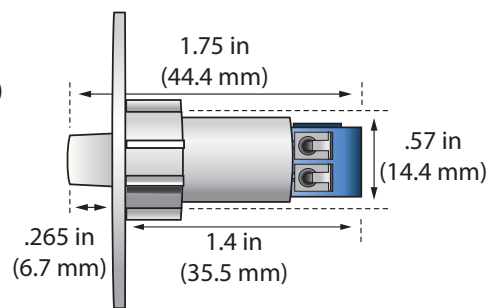
**PB-100T**



**PBF-100**



**PBF-100T**



**GRI PRODUCTS MEET OR EXCEED THESE MINIMUM GENERAL SPECIFICATIONS:**

Part Number	Loop Type	Electrical Configuration	Reed Form	Max. Initial Contact Resistance ( $\Omega$ )	Max. Contact Rating (W)	Max. Switching Voltage (VDC)	Max. Switching Current (A)
PB-100	Closed	N/O	A	.150	10	200	.500
PB-100T	Closed	N/O	A	.150	10	200	.500
PBF-100	Closed	N/O	A	.150	10	200	.500
PBF-100T	Closed	N/O	A	.150	10	200	.500
PB-101	Open	N/C	B	.140	5	175VDC	.250
PB-101T	Open	N/C	B	.140	5	175VDC	.250
PBF-101	Open	N/C	B	.140	5	175VDC	.250
PBF-101T	Open	N/C	B	.140	5	175VDC	.250
PB-102	Open/Closed	SPDT	C	.140	5	175VDC	.250
PBF-102	Open/Closed	SPDT	C	.140	5	175VDC	.250

**WARRANTY:** Lifetime warranty against workmanship, material and factory defects.

GEORGE RISK INDUSTRIES, INC.  
G.R.I. PLAZA  
KIMBALL, NE 69145  
WWW.GRISK.COM



TOLL-FREE 1-800-445-5218  
TOLL-FREE 1-800-523-1227  
(308) 235-4645  
FAX (308) 235-3561  
E-MAIL: sales@grisk.com