

OMNI-DIRECTIONAL TILT SENSOR



ODTS-1

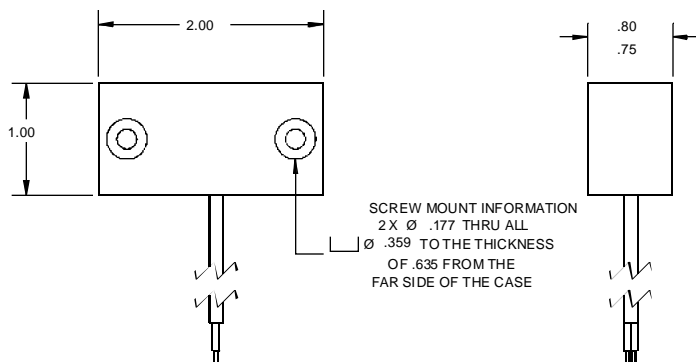
- ◆ Senses Tilts In Any Direction of 15° or More
- ◆ Only Required One Tilt Sensor To Detect Tilts In Any Direction
- ◆ 24" Jacketed Cable
- ◆ Can Be Used To Sense:
 - Tampering or Removal of Museum Pieces, Paintings & Valuable Objects
 - Removal Of Equipment Covers
 - Vandalism or Theft of Computers, Televisions & Other Equipment
 - Removal or Opening of Access Doors & Hatches



ODTS-1

Description:

The GRI Omni-Direction Tilt Sensor can sense tampering and removal of equipment and valuable object. It senses movement by detecting tilts in any direction of more than 15°. Most tilt sensor on the market today only sense tilts in one direction. Being able to detect tilts in any direction with only one switch gives an added security and value.



Instructions:

The ODTS-1 needs to be mounted on a surface so that the switch is level and the cable is coming out of the bottom of the case. When the switch is level the circuit is closed. Tilt the switch in any direction more than 15° and the circuit will open. The switch should be mounted with screws to assure proper operation and prevent false alarms.

Note: If you have other mounting or case requirements or need a different operating angle, contact GRI.

Specifications:

PART NUMBER	LOOP TYPE	ELECTRICAL CONFIG.	MAXIMUM CONTACT RESISTANCE (Ω)	MAXIMUM CONTACT RATING (VA)	MAXIMUM SWITCHING VOLTAGE (VAC)	MAXIMUM SWITCHING CURRENT (A)	OPERATING ANGLE
ODTS-1	CLOSED	N/C	5	200	120	1.5	15° ± 3°

Not for sale in California.

WARRANTY:

One year warranty against workmanship, material and factory defects

GEORGE RISK INDUSTRIES, INC.
G.R.I. PLAZA
KIMBALL, NE 69145



MADE IN U.S.A.

TOLL-FREE 1-800-445-5218

TOLL-FREE 1-800-523-1227

(308) 235-4645

FAX (308) 235-3561

E-MAIL: grisales@megavision.com

WEB SITE: www.grisk.com