

CB-20 Call Button Series



.905"
22.98mm

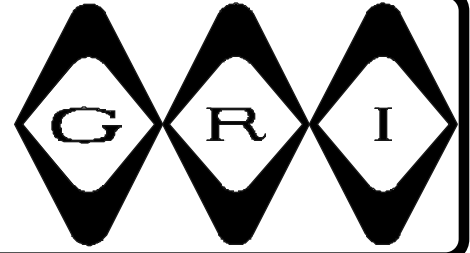


28.95mm

CB-20

- Nurse Call for Medical Facilities
- Panic Switch for the Elderly
- Mechanical Type Call Button
- Momentary or Push On/Push Off Latching Action
- Button Legend Engraving Available
- Supervisory Loops Available Upon Request
- 10' Two Conductor #22AWG Vinyl Jacketed Lead Standard
- Optional 10' Two Conductor #18AWG Heavy Duty Jacketed Lead

PANIC SWITCH CALL BUTTON



CB-20 SERIES

- ◆ Nurse Call For Medical Facilities
- ◆ Panic Switch For The Elderly
- ◆ Mechanical Type Call Button
 - ◆ Momentary
- ◆ Button Legend Engraving Available
- ◆ Supervisory Loops Available Upon Request
- ◆ 10' Two conductor #22AWG Vinyl Jacketed Lead Standard
- ◆ Optional 10' Two Conductor #18AWG Heavy Duty Jacketed Lead



PART NUMBERS

Momentary Action

Open Loop
CB-20
CB-20HD

GEORGE RISK INDUSTRIES, INC.
G.R.I. PLAZA
KIMBALL, NE 69145



MADE IN U.S.A.

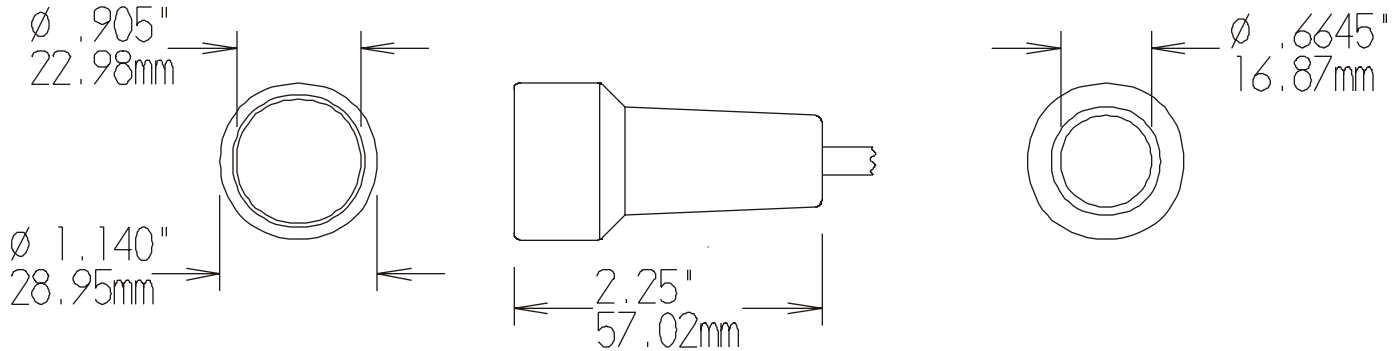
TOLL-FREE 1-800-445-5218
TOLL-FREE 1-800-523-1227
(308) 235-4645
FAX (308) 235-3561
E-MAIL: sales@grisk.com
WEB SITE: www.grisk.com



PANIC SWITCH CALL BUTTON

INSTALLATION APPLICATIONS:

Ideal for any situation, the GRI CB-20 is a hand held, mechanical Call Button, designed for use in medical facilities such as Hospitals, Assisted Living and Nursing Homes to alert the staff to emergency situations with residents. They are also designed for use in residential bedrooms, baths, workrooms and other areas where some type of annunciation may be required, particularly where elderly persons' health needs are a concern. This Momentary Call Button has ten feet of #22AWG, standard 2 conductor or optional #18AWG, heavy-duty jacketed cable for more commercial type usage. The CB-20 can be mounted into a wall plate at installation or hooked onto a wall for easy access. The button can be engraved per your request: Emergency, Help or Panic for example.



GRI products meet or exceed these minimum general specifications:

PART NUMBER	LOOP TYPE	ELECTRICAL CONFIG.	REED FORM	MAXIMUM INITIAL CONTACT RESISTANCE (Ω)	MAXIMUM SWITCHING VOLTAGE (VDC)	MAXIMUM SWITCHING CURRENT (A)
CB-20	Open	SPST N/O	Momentary	.100	12	.100
CB-20HD	Open	SPST N/O	Momentary	.100	12	.100

WARRANTY:

Lifetime warranty against workmanship, material and factory defects.

CONTACT YOUR G.R.I. DISTRIBUTOR OR CALL:

GEORGE RISK INDUSTRIES, INC.
G.R.I. PLAZA
KIMBALL, NE 69145



MADE IN U.S.A.

TOLL-FREE 1-800-445-5218
TOLL-FREE 1-800-523-1227
(308) 235-4645
FAX (308) 235-3561
E-MAIL: sales@grisk.com
WEB SITE: www.grisk.com