

AA/AC Dual Function Series Switch Sets

- Security to Access Control
- Security to Relays
- Access to VCR for CCTV Timers
- Security to Recorders
- Security to Pool Alarm

AA/AC Series Access and Intrusion Switches



AA/AC4400A

The AA and AC switches can be used in numerous security applications where you need to isolate input from two different pieces of equipment that require a signal from the same source.

The GRI "Combo" Series switches are dual function reed contacts that monitor two separate functions.

By combining two reeds in one package, either two "A" forms or one "A" and one "C" form, GRI offers the installer savings in labor cost along with a wide choice of switch designs for multiple applications.

Other configurations including wide gaps are available. Please contact the factory for further information.



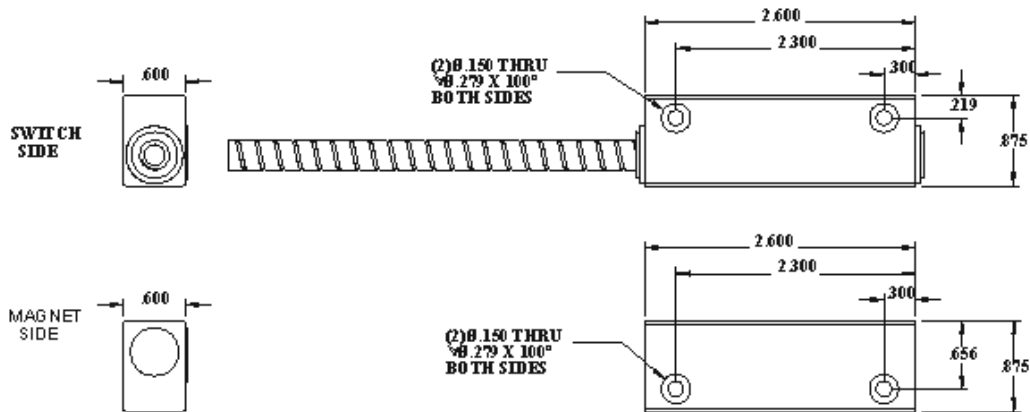
AA/AC180

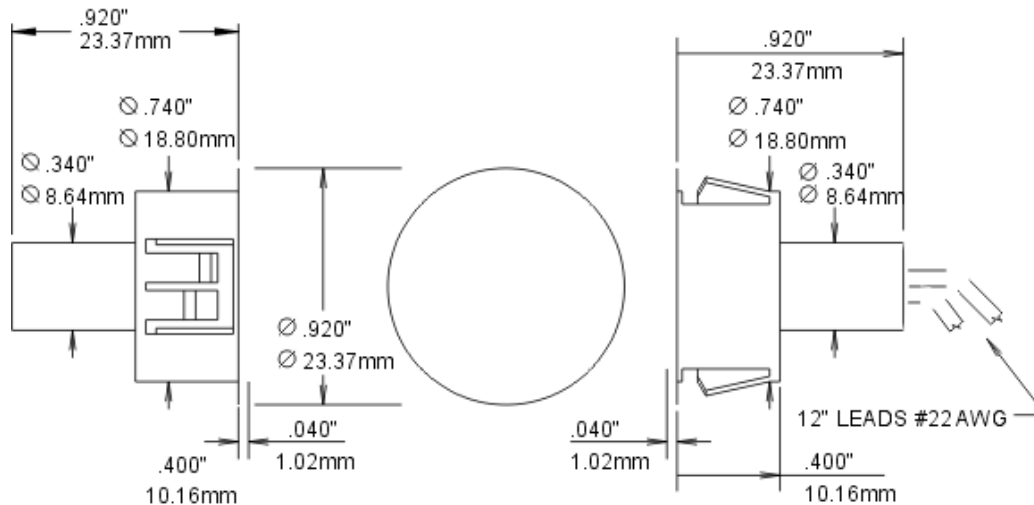


AA/AC29PA



AA/AC410P

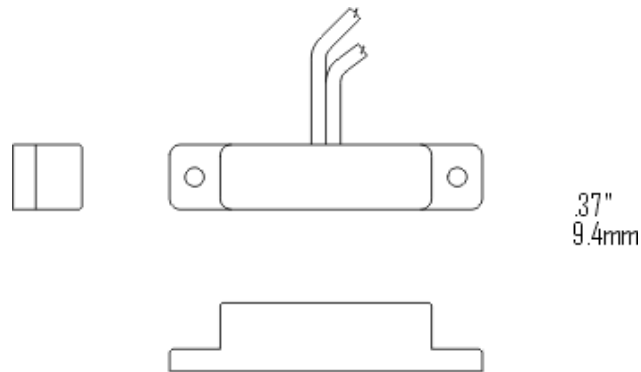




MAGNET

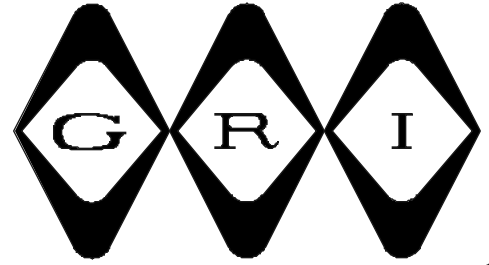
SWITCH

AA/AC180



AA/AC29PA

DUAL FUNCTION SWITCHES



AA/AC SERIES

- ◆ Security To Access Control
- ◆ Security To Relays
- ◆ Security To Recorders
- ◆ Access To VCR For CCTV Timers
- ◆ Security To Pool Alarm

◆  Indicates U.L. 10C Fire Rated

Application Notes:

The AA & AC Switches can be used in numerous security applications where you need to isolate input from two different pieces of equipment that require a signal from the same source.

The GRI "Combo" Series switches are dual function reed contacts that monitor two separate functions.

By combining two reeds in one package, either two "A" forms or one "A" and one "C" form, GRI offers the installer savings in labor cost along with a wide choice of switch designs for multiple applications.

Other configurations including wide gaps are available. Please contact the factory for further information.



PART NUMBERS:

Surface Mount	Recessed	U.L. 10C Fire Rated
◆ AA1100	◆ AA180-A	◆ AA180
◆ AC1100	◆ AC180-A	◆ AC180
◆ AA200	◆ AA2020	◆ AA184
◆ AC200	◆ AC2020	◆ AC184
◆ AA250		
◆ AC250		
◆ AA29P		
◆ AC29P		
◆ AA29P-A		
◆ AC29P-A		
◆ AA410P		
◆ AC410P		
◆ AA410P-A		
◆ AC410P-A		
◆ AA4400		
◆ AC4400		
◆ AA4400-A		
◆ AC4400-A		

AA denotes 2 A Form Reeds
 AC denotes 1 A Form Reed and 1 C Form Reed
 Other configurations available
 -A after part number denotes Armored Cable
Standard 36 inch lead



WIRE CODE:

	1ST (A)	2ND (A)
AA	RED/BLACK	GREEN/WHITE
	(A) CIRCUIT	(C) CIRCUIT
AC	BLK/BLUE	WHITE - C RED - N.C. GREEN - N.O.

GEORGE RISK INDUSTRIES, INC.
 GRI PLAZA
 KIMBALL, NE 69145



TOLL-FREE 1-800-445-5218
 TOLL-FREE 1-800-523-1227
 (308) 235-4645
 FAX (308) 235-3561
 E-MAIL: grisales@megavision.com
 WEB SITE: www.grisk.com

