

MC-25 Window Channel Magnet



MC-25

Window Channel Magnet

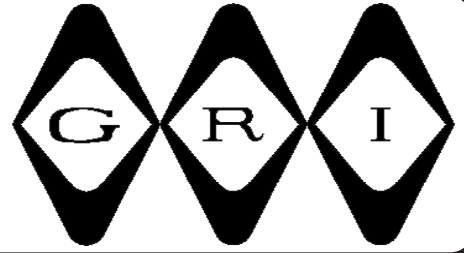
- The MC-25 Is Designed To Be Mounted In The Track Of Aluminum Windows & Sliders
- Rare Earth Magnet
- Fits Most Aluminum Tracks
- Grippers Hold Magnet In Place
- No Drilling Required
- 1/2" Gap When Paired With GRI's 3/8" Press-To-Fit Contacts
- Arrow Marks Polarity



MC-25

Window Channel Magnet

WINDOW CHANNEL MAGNET

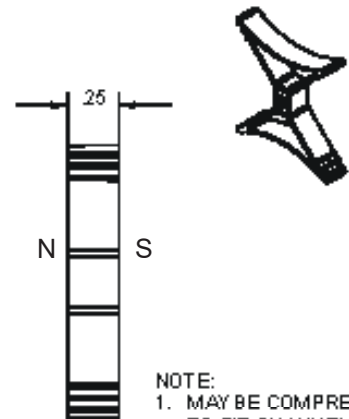
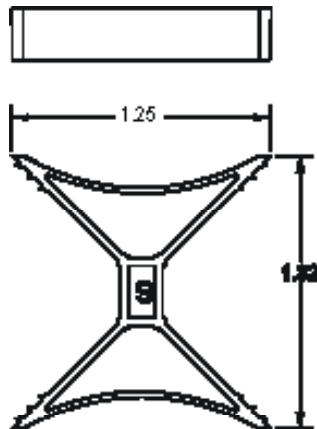


MC-25

- ◆ The MC-25 Is Designed To Be Mounted In The Track Of Aluminum Windows & Sliders
- ◆ Rare Earth Magnet
- ◆ Fits Most Aluminum Tracks
- ◆ Grippers Hold Magnet In Place
- ◆ No Drilling Required
- ◆ 1/2" Gap When Paired With GRI's 3/8" Press-To-Fit Contacts
- ◆ Arrow Marks Polarity. Point Arrow Toward Switch.



MC-25



WARRANTY:

One year warranty against workmanship, material and factory defects

GEORGE RISK INDUSTRIES, INC.
G.R.I. PLAZA
KIMBALL, NE 69145



TOLL-FREE 1-800-445-5218
TOLL-FREE 1-800-523-1227
(308) 235-4645
FAX (308) 235-3561
E-MAIL: sales@grisk.com
WEB SITE: www.grisk.com