

2020 Series 3/8" Press Fit Switch Sets



2020-12
3/8" Press to Fit Switch Set

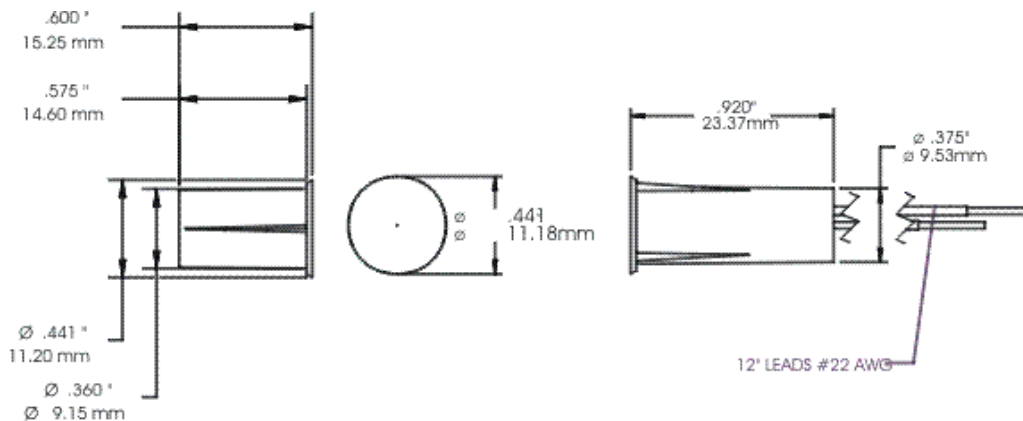


2020-T
3/8" Press to Fit Switch Set

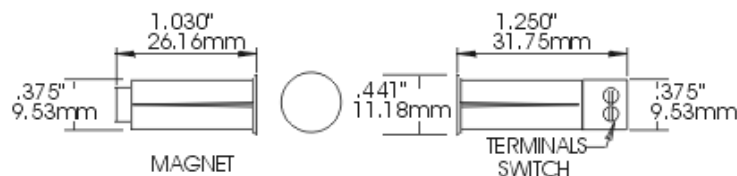
- Lifetime Warranty
- Colors: White, Brown, Gray or Black
- Available in closed loop, open loop, SPDT and DPDT
- UL and ULC approved
- Shorter length case
- Softer fill to protect fragile reed
- Standard 12" leads or terminal block
- Longer leads, zip cord or jacketed cable on request
- Built-in E.O.L. resistors and diodes are available
- Switch or magnet are available separately
- Extra wide gap bare magnets
- Standard gap 1/2" +
- Wide gap 1" +
- Extra wide gap 1.5" +
- Supervisory loops available

GRI's recessed switches are most versatile for a variety of applications, but the switch and magnet installed, should never form a "T" configuration.

When the application calls for a wide gap switch, using a bare magnet, keep in mind that GRI's bare magnets are installed with the painted end towards the switch as they are polarity sensitive. When protecting steel doors, use the GRI PA-75 collars with our wide gap switch.

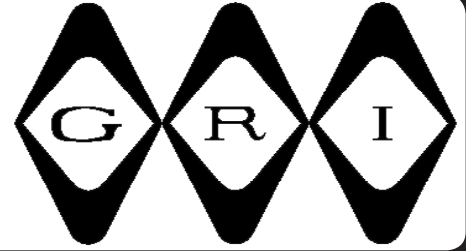


2020-12
3/8" Press to Fit Switch Set



2020-T
3/8" Press to Fit Switch Set

3/8" DIAMETER RECESSED SWITCH SET



2020-12/2020-T SERIES

- ◆ Recessed Magnetic Contacts ◆ Press To Fit
- ◆ 12" Leads #22 AWG Leads or Screw Terminals
- ◆ Longer Leads, Zip Cord or Jacketed Cable Upon Request
- ◆ Hermetically Sealed ◆ Plated Contacts Resist Sticking or Freezing
 - ◆ Built-in E.O.L. Resistors and Diodes Upon Request
 - ◆ Supervisory Loops Available Upon Request
 - ◆ Switches and Magnets Available Separately
- ◆ Colors: White, Brown, Gray, Almond ◆ Lifetime Warranty



2020-12



2020-T

PART NUMBERS:

	Closed Loop	Open Loop	SPDT	DPDT
Standard Gap 1/2" +	2020-12 2020-T	3030-12 3030-T	4040-12	4545-12
Wide Gap 1" +	2020-12WG 2020-TWG	3030-12WG 3030-TWG	4040-12WG	4545-12WG
Extra Wide Gap 1 1/2" +	2020-12XWG 2020-TXWG	3030-12XWG 3030-TXWG	4040-12XWG	

GEORGE RISK INDUSTRIES, INC.
G.R.I. PLAZA
KIMBALL, NE 69145



MADE IN U.S.A.

TOLL-FREE 1-800-445-5218
TOLL-FREE 1-800-523-1227
(308) 235-4645
FAX (308) 235-3561
E-MAIL: sales@grisk.com
WEB SITE: www.grisk.com

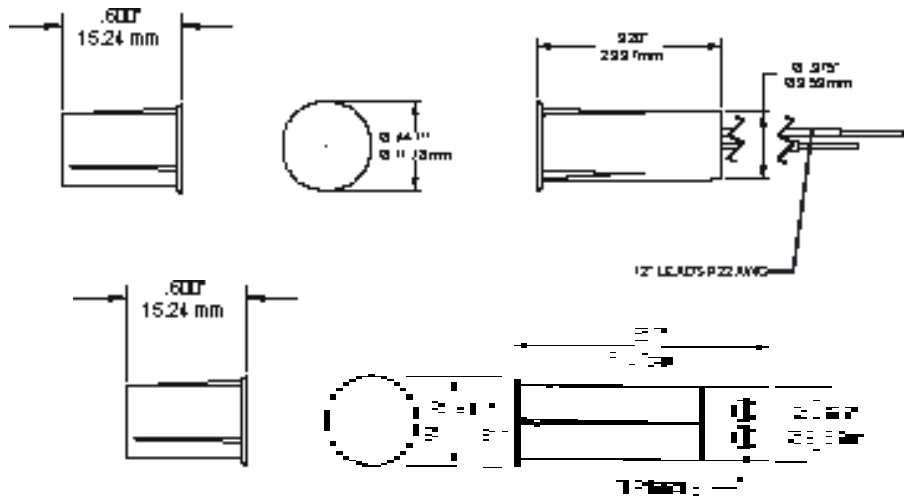


3/8" DIAMETER RECESSED SWITCH SET

INSTALLATION APPLICATIONS:

G.R.I.'s 3/8" recessed press-to-fit contacts can be installed in many different positions to accommodate a variety of applications. The switch and magnet can be mounted end-to-end within an imaginary arc around the switch, or parallel to the switch. When the application calls for a wide gap switch, install the painted end of the bare magnet facing the switch as they are polarity sensitive. The switch and magnet should never form a "T" configuration when installed.

If this series is to be used in a steel door application, G.R.I.'s PA-75 adaptor should be used with a wide gap switch.



GRI products meet or exceed these minimum general specifications:

2020-T

PART NUMBER	LOOP TYPE	ELECTRICAL CONFIG.	REED FORM	MAXIMUM INITIAL CONTACT RESISTANCE (Ω)	MAXIMUM CONTACT RATING (W)	MAXIMUM SWITCHING VOLTAGE (VDC)	MAXIMUM SWITCHING CURRENT (A)
2020-12	Closed	N/O	A	.150	10	200	.500
2020-12WVG	Closed	N/O	A	.150	10	200	.400
2020-12XWVG	Closed	N/O	A	.150	10	200	.400
2020-T	Closed	N/O	A	.150	10	160	.400
2020-TWVG	Closed	N/O	A	.150	10	160	.400
2020-TXWVG	Closed	N/O	A	.150	10	160	.400
3030-12	Open	N/C	B	.140	5	175VDC	.250
3030-12WVG	Open	N/C	B	.140	5	175VDC	.250
3030-12XWVG	Open	N/C	B	.140	5	175VDC	.250
3030-T	Open	N/C	B	.140	5	175VDC	.250
3030-TWVG	Open	N/C	B	.140	5	175VDC	.250
3030-TXWVG	Open	N/C	B	.140	5	175VDC	.250
4040-12	Open/Closed	SPDT	C	.140	5	175VDC	.250
4040-12WVG	Open/Closed	SPDT	C	.140	5	175VDC	.250
4040-12XWVG	Open/Closed	SPDT	C	.140	5	175VDC	.250
4545-12		DPDT	C X 2	.140	5	175VDC	.250
4545-12WVG		DPDT	C X 2	.140	5	175VDC	.250

WARRANTY:

Lifetime warranty against workmanship, material and factory defects.

CONTACT YOUR G.R.I. DISTRIBUTOR OR CALL:

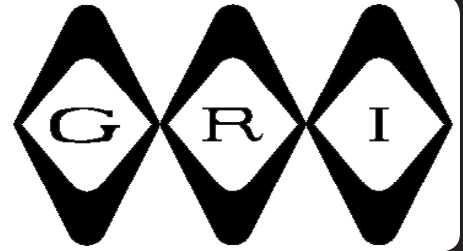
GEORGE RISK INDUSTRIES, INC.
G.R.I. PLAZA
KIMBALL, NE 69145



MADE IN U.S.A.

TOLL-FREE 1-800-445-5218
TOLL-FREE 1-800-523-1227
(308) 235-4645
FAX (308) 235-3561
E-MAIL: sales@grisk.com
WEB SITE: www.grisk.com

N SERIES SWITCH SETS



- ◆ Rare Earth Magnets Paired With Press To Fit Contacts
- ◆ Solves Problem Installs ◆ Time Saving Installations
- ◆ Nickel Plated To Protect From Chipping And Corrosion
- ◆ Use MM-600 With A Standard Gap Switch To Attain Wide Gap



N2120-12



N2020-TWG



N20RS-12

G.R.I.'s "Mighty Mag" contacts will assist in resolving the installer's problem of drilling into the new thinner vinyl windows. These rare earth magnets are less than 1/8" high and install fast and easily without worry about damage to the window itself. (Please see the Mighty Mag page in the accessories section of G.R.I.'s full line catalog for dimensions).

G.R.I.'s Mighty Magnets make use of a rare earth alloy which allows the size of the magnet to be significantly reduced while still retaining or improving the gap involved. These rare earth magnets can be mounted with the stainless steel mounting screws provided (MM-400 and MM-600) and/or double stick tape included in the bag, or may be glued into place.

Note: G.R.I. suggests using a silicone or clear nail polish sealant on the surface of installed rare earth magnets to prevent corrosion.

PART NUMBERS:

N120T-12	N2020-TWG	N2120-12WG	N50RF-12WG
N120T-12WG	N20RS-12	N4473	N50RS-12
N150-12	N20RS-12WG	N4473WG	N50RS-12WG
N150-12WG	N20RS-T	N50R-12	N5065
N2020-12	N20RS-TWG	N50R-12WG	
N2020-12WG	N2120-12	N50RF-12	

Other possible combinations including Open Loop and S.P.D.T. available or as Switch Only and Magnet Only.

GEORGE RISK INDUSTRIES, INC.
G.R.I. PLAZA
KIMBALL, NE 69145



TOLL-FREE 1-800-445-5218
TOLL-FREE 1-800-523-1227
(308) 235-4645
FAX (308) 235-3561
E-MAIL: sales@grisk.com
WEB SITE: www.grisk.com

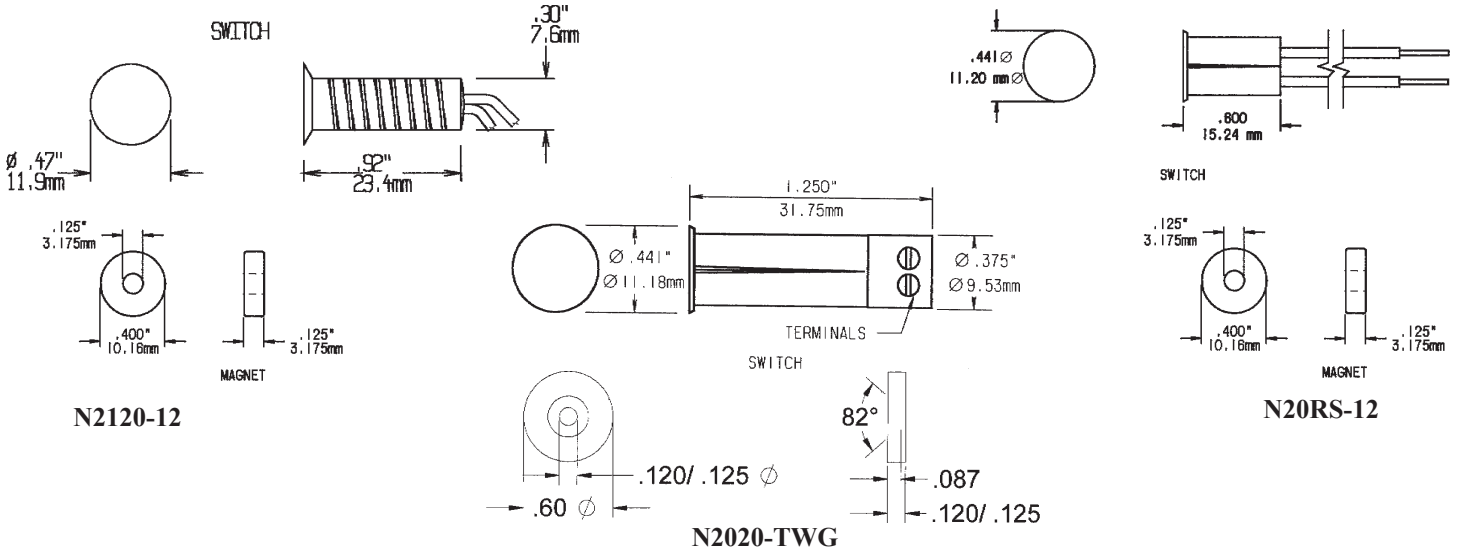


SWITCHES WITH RARE EARTH MAGNETS

Pair Switch with Magnet to get the following gaps:

Switch	Description	MM-25 MMR-25	MM-375	MM-10	MM-400	MM-600	MMF-875
S120T-12	3/4" Press Fit/Leads	3/8"+	1"+	Up to 1"	Up to 3/4"	1"+	3/4"+
S150-12	1/2" Press Fit/Leads	1/2"+	1 1/2"+	Up to 1"	3/4"+	1 1/2"+	1"+
S2020-12	3/8" Press Fit/Leads	Up to 1/2"	1"+	Up to 1"	1"+	1"+	1"
S2020-T	3/8" Press Fit/Terminals	3/8"+	1"+	Up to 1"	Up to 3/4"	1"+	1/2"+
S20RS-12	3/8" Short Press Fit/Leads	Up to 3/8"	1"+	3/4"+	Up to 3/4"	Up to 1"	3/4"
S20RS-T	3/8" Short Press Fit/Terminals	3/8"+	1"+	3/4"+	Up to 3/4"	Up to 1"	3/4"
S2120-12	3/8" Ribbed Press Fit/Leads	5/8"+	1"+	Up to 1"	Up to 3/4"	1"+	3/4"+
S4473	3/4" Press Fit/Terminals	Up to 1/2"	1 1/4"+	Up to 1"	Up to 3/4"	1"+	3/4"+
S50R-12	1/4" Press Fit/Leads	Up to 1/2"	Up to 1 1/2"	1"+	3/4"+	Up to 1 1/4"	3/4"+
S50RF-12	1/4" Press Fit/Flanged/Leads	Up to 1/2"	Up to 1 1/2"	1"+	Up to 3/4"	Up to 1 1/4"	1"
S50RS-12	1/4" Short Press Fit/Leads	Up to 3/8"	1"+	3/4"+	Up to 1/2"	Up to 1 1/4"	3/4"
S5065	3/8" Press Fit/Leads	1/2"+	1"+	1"+	Up to 1"	Up to 1 1/4"	1/2"+

Magnet orientation will affect operation of switch. Please confirm operation prior to installation.



WARRANTY:

Lifetime warranty against workmanship, material and factory defects.

CONTACT YOUR G.R.I. DISTRIBUTOR OR CALL:

GEORGE RISK INDUSTRIES, INC.
G.R.I. PLAZA
KIMBALL, NE 69145



MADE IN U.S.A.

TOLL-FREE 1-800-445-5218
TOLL-FREE 1-800-523-1227
(308) 235-4645
FAX (308) 235-3561
E-MAIL: sales@grisk.com
WEB SITE: www.grisk.com