

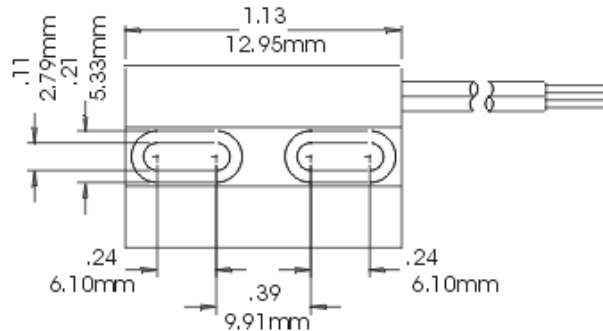
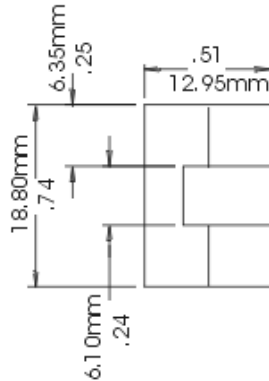
PV-40 Safety Interlock Vane Sensor



- Screw Mount
- Self Contained Sensor
- Hermetically Sealed Reed Switch
- Hi-Rel for Switching Low Level Loads
- Custom Requirements on Request

The PV-40 Vane Sensor is actuated when a ferrous plate is passed between the switch and magnet portions of the sensor.

PV-40 Vane Sensor



PV-40 Vane Sensor