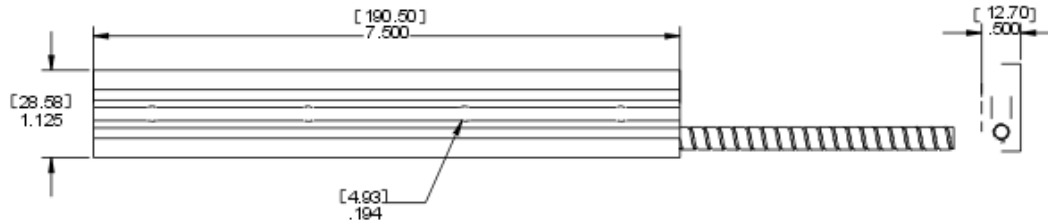


200WG Series Extended Gap Surface Mount Switch Sets



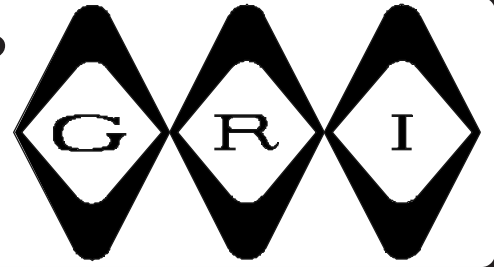
- Designed Especially For Loose Fitting, Worn or Damaged Overhead Doors
- Expanded Area of Activation For Doors That don't return to the exact or approximate position upon closure
- Standard Switch Length is 7 1/2" with 36" Armored Cable
- Up to 3.25" Gap
- Extruded Aluminum Floor or Wall Mount Switch
- Custom Switch and Lead Lengths Available
- Screw Mount
- Magnet, Bracket and Mounting Hardware Included
- Lifetime Warranty

200-36WG



250-36WG

INDUSTRIAL EXTENDED GAP OVERHEAD DOOR SWITCH SET



200WG/250WG SERIES

- ◆ Extruded Aluminum Floor or Wall Mount Switch
 - ◆ 7 1/2" Switch Length Standard
- ◆ #22AWG In 36" Stainless Steel Armored Cable Standard
 - ◆ Custom Switch And Lead Lengths Available
 - ◆ Screw Mount
 - ◆ Hermetically Sealed
 - ◆ Plated Contacts Resist Sticking or Freezing
- ◆ Magnet, Brackets and Mounting Hardware Included
 - ◆ Built-in E.O.L. Resistors Upon Request
 - ◆ Supervisory Loops Available Upon Request
- ◆ Switches and Magnets Available Separately
- ◆ Lifetime Warranty

PART NUMBERS:

	Closed Loop
Floor Mount	200-36WG
Wall Mount	250-36WG
Up to 6.25" Travel	
Up to 3.25" Gap	



250-36WG

GEORGE RISK INDUSTRIES, INC.
G.R.I. PLAZA
KIMBALL, NE 69145



TOLL-FREE 1-800-445-5218
TOLL-FREE 1-800-523-1227
(308) 235-4645
FAX (308) 235-3561
E-MAIL: grisales@megavision.com
WEB SITE: www.grisk.com



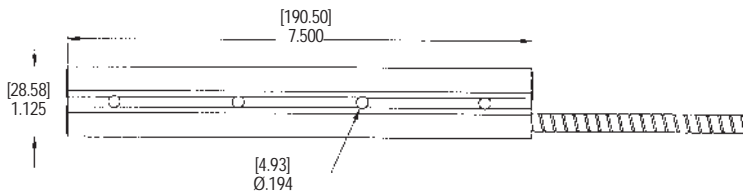
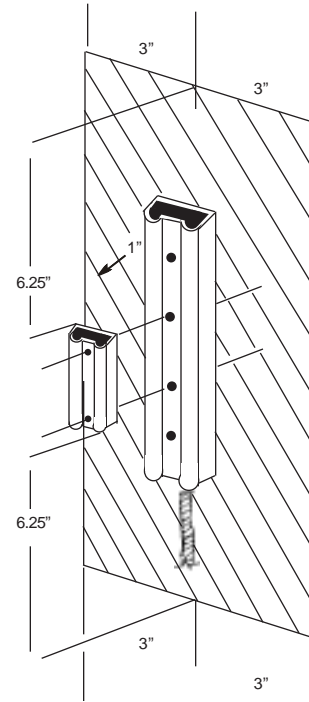
INDUSTRIAL EXTENDED GAP OVERHEAD DOOR SWITCH SET

INSTALLATION APPLICATIONS:

The new G.R.I. extended gap series was specifically developed in response to installer request for a magnetic contact that would work on loose fitting, worn, or damaged overhead doors. The G.R.I. 250WG has an expanded area of activation which was designed for doors that don't return to the exact or approximate position upon closure.

Ideally, the installer should determine total travel from left to right and from front to back. Locating the center position in both directions should determine the best placement of the switch.

Standard switch length is 7 1/2" with a 36" armored cable lead, but switch and lead can be custom ordered in any length required. All mounting hardware including lead anchors is provided as well as 1 S-12 mounting bracket for the actuating magnet. A 1/4" masonry bit is required for lead anchor installation.



**Extended Gap
250-36WG**

GRI products meet or exceed these minimum general specifications:

PART NUMBER	LOOP TYPE	ELECTRICAL CONFIG.	REED FORM	MAXIMUM INITIAL CONTACT RESISTANCE (Ω)	MAXIMUM CONTACT RATING (W)	MAXIMUM SWITCHING VOLTAGE (VDC)	MAXIMUM SWITCHING CURRENT (A)
200-36WG	Closed	N/O	A	.150	10	200	.500
250-36WG	Closed	N/O	A	.150	10	200	.500

WARRANTY:

Lifetime warranty against workmanship, material and factory defects.

CONTACT YOUR G.R.I. DISTRIBUTOR OR CALL:

GEORGERISK INDUSTRIES, INC.
GRI PLAZA
KIMBALL, NE 69145



MADE IN U.S.A.

TOLL-FREE 1-800-445-5218

TOLL-FREE 1-800-523-1227

(308) 235-4645

FAX (308) 235-3561

E-MAIL: grisales@megavision.com

WEB SITE: www.grisk.com