

2808 Absence Of Water Sensor



2808

Absence of Water Sensor

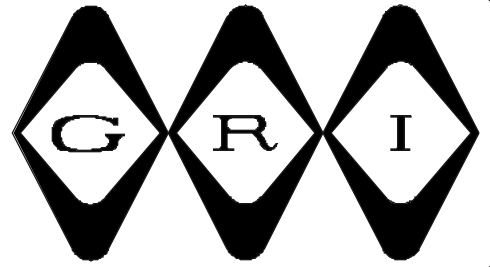
- Microprocessor Controlled
- Detects Absence or Presence of Liquid
- Powered by 5 Year Lithium Battery
- Standard Sample Rate is Once Every 2.5 Minutes
- Form C Relay

The GRI 2808 Absence of Water Sensor is a totally new innovative design that helps monitor the level of water and other non flammable liquids. The GRI 2808 is submersible, fully self-contained and responds reliably to the absence of or the presence of water. The GRI 2808 fits a multitude of applications in a wide range of environmental landscapes.

The GRI 2808 microprocessor conducts a sample every 2.5 minutes. Optional custom sample rates are available. Call the factory for more information.

The C-form relay gives the installer greater flexibility for triggering wireless and hardwired communication devices.

ABSENCE OF WATER DETECTOR



2808 Series

- ◆ Senses The Lack Of Or Presence Of Any Non-Volatile Liquid
 - ◆ Microprocessor Controlled
 - ◆ Submersible and Fully Self Contained
 - ◆ 12" Cable



2808

The G.R.I. 2808 Absence of Water Detector is targeted for monitoring a fluid level height. This submersible sensor can safely and reliably sense and respond to the absence of or presence of a non-volatile liquid in a wide range of environmental conditions.

The G.R.I. 2808 Series of Water Detectors are microprocessor controlled devices that produce an AC Signal between two stainless steel probes. Depending on the conductivity measured between the two probes, a set of internal relay contacts will be latched in an open or closed position.

Sensor life span is optimized by periodically sampling for liquid at set timed intervals. Conductivity sampling between the two probes once every 2.5 minutes are used in the Standard Self Powered 2808 allowing for a 4-year expectancy. A sampling rate of once every 30 seconds is used with the Externally Powered 2808-12V providing a 15+ year life expectancy. Instantaneous triggering and custom sampling rates are also available on request.

External connections are made through the included 12 inches of Direct Burial cable allowing for up to a foot of total submersion, burial or harsh environmental exposure. Custom cable length are also available on request.

2808	Self Powered/2.5 minute sample rate/C form relay output
2808-12V	External 12VDC/30 Second Sample Rate/C form relay output

Warranty:

One year warranty against workmanship, material and factory defects.

GEORGE RISK INDUSTRIES, INC.
G.R.I. PLAZA
KIMBALL, NE 69145



MADE IN U.S.A.

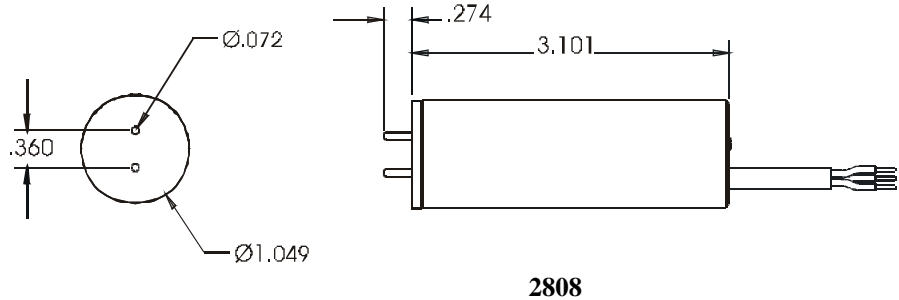
TOLL-FREE 1-800-445-5218
TOLL-FREE 1-800-523-1227
(308) 235-4645
FAX (308) 235-3561
E-MAIL: sales@grisk.com
WEB SITE: www.grisk.com



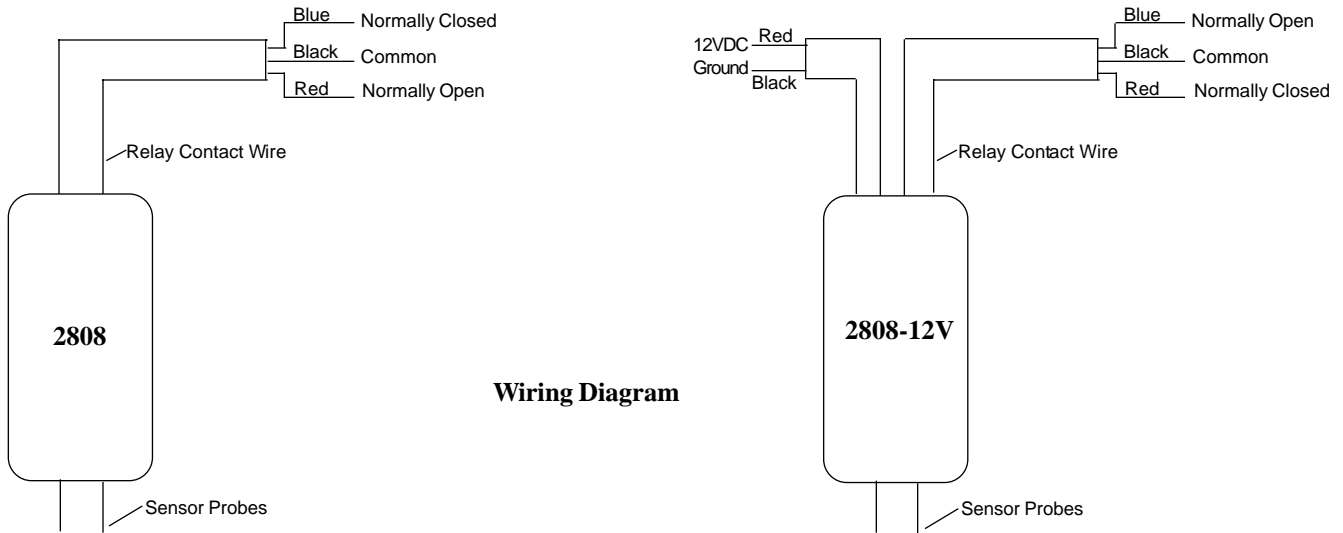
ABSENCE OF WATER DETECTOR

INSTALLING THE G.R.I. 2808:

The G.R.I. Absence of Water Detector is installed by mounting the unit so that sensor probes are located at the desired fluid level position. Insertion of the 2808 into the liquid will confirm that mounting point as the **minimum** liquid level height. Mounting the 2808 above and out of the liquid will confirm that mounting point as the **maximum** liquid level height. The latching C form relay output will set upon first initial sampling after mounting, and maintain that set during subsequent samplings up to and until a change in status occurs. At that time, the C form relay will reset, signalling that change. The device is secured in place using the provided plastic strap. Connections to the relay contact wires are made using a suitable wire connector. Note: Watertight connectors may be needed if connector location will be submerged.



These detectors should be inspected and tested annually. If there is damage the detector should be replaced.



SPECIFICATIONS:

2808-12V Only

Operating Voltage 9 volts DC - 28 Volts DC
 Operating Current 7 mA nominal

2808 and 2808-12V

Operating Temperature: 70° C to -40° C

Contact Rating:

Nominal Switching Capacity: 2A @ 30VDC
 Maximum Switching Power: 60W
 Maximum Switching Voltage: 220VDC
 Maximum Switching Current: 2A

GEORGE RISK INDUSTRIES, INC.
 G.R.I. PLAZA
 KIMBALL, NE 69145



PRODUCT DESCRIPTION FOR THE ABSENCE OF WATER DETECTOR GRI 2808

APPLICATION:

The G.R.I. 2808 Absence of Water Detector is targeted for monitoring a fluid level height. This submersible fully self-contained sensor can safely and reliably sense and respond to the absence of, or the presence of a non-volatile liquid in a wide range of environmental conditions.

DESCRIPTION:

The G.R.I. 2808 Absence of Water Detector is a micro-processor-controlled device. The sensor produces a one second signal between two stainless steel probes once every 2.5 minutes. Depending on the conductivity measured between the two probes, a set of internal relay contacts will be latched in an open or closed position.

External wire connections are provided for control interface. Connection to a communication device such as a wireless transmitter or a signal processor will allow the 2808 to be used as a “set and forget it” liquid sensor.

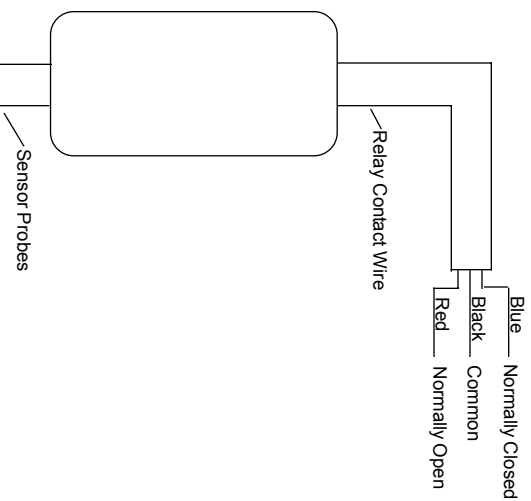
INSTALLATION INSTRUCTIONS

INSTALLING THE G.R.I. 2808:

The G.R.I. 2808 Absence of Water Detector is installed by mounting the unit so that sensor probes are located at the desired fluid level position. Insertion of the 2808 into the liquid will confirm that mounting point as the **minimum** liquid level height. Mounting the 2808 above and out of the liquid will confirm that mounting point as the **maximum** liquid level height. With a sampling rate set at once every 2.5 minutes a latching C form relay output will set upon first initial sampling after mounting, and maintain that set during subsequent samplings, up to

and until a change in status occurs. At that time, the C form relay will reset, signaling that change. The device is secured in place using the provided plastic strap. Connections to the relay control wires are made using a suitable wire connector. Note: Watertight connectors may be needed if connector location will be submerged.

These detectors should be inspected and tested annually. If there is any damage the detector should be replaced.

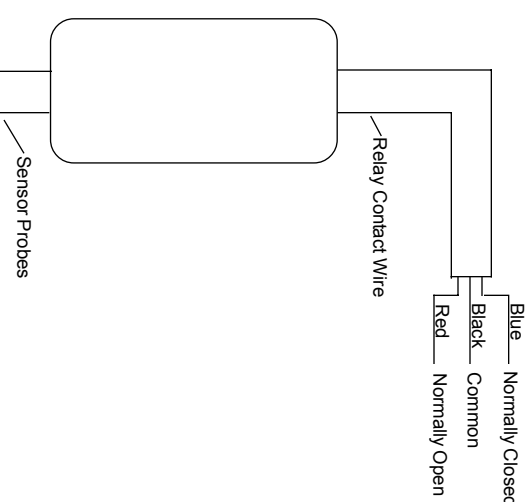


SPECIFICATIONS:

- Operating Temperature: 0° C - 70° C
- Sample Rate: 24 Per Hour (Once Every 2.5 Minutes)
- Contact Rating:*
- Nominal Switching Capacity: 2A @ 30VDC
- Maximum Switching Power: 60W
- Maximum Switching Voltage: 220VDC
- Maximum Switching Current: 2A

and until a change in status occurs. At that time, the C form relay will reset, signaling that change. The device is secured in place using the provided plastic strap. Connections to the relay control wires are made using a suitable wire connector. Note: Watertight connectors may be needed if connector location will be submerged.

These detectors should be inspected and tested annually. If there is any damage the detector should be replaced.



SPECIFICATIONS:

- Operating Temperature: 0° C - 70° C
- Sample Rate: 24 Per Hour (Once Every 2.5 Minutes)
- Contact Rating:*
- Nominal Switching Capacity: 2A @ 30VDC
- Maximum Switching Power: 60W
- Maximum Switching Voltage: 220VDC
- Maximum Switching Current: 2A