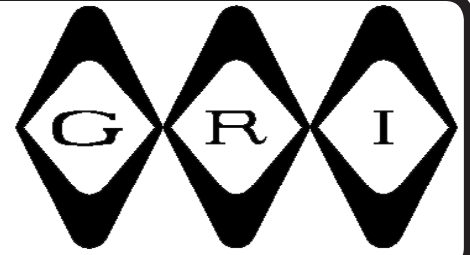


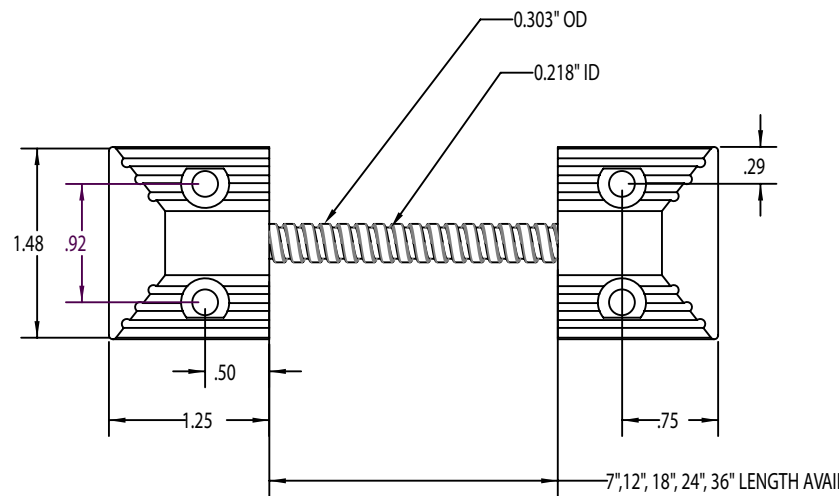
POWER TRANSFER DEVICE WITH CUSTOM LENGTHS - TWO SIZES



- ◆ Heavy Duty Aluminum Ends
- ◆ 8296 Stainless Steel Armored Cable
 - ◆ 0.218"/ 5.55mm Inside Diameter
 - ◆ 0.303"/ 7.77mm Outside Diameter
- ◆ Includes Mounting Screws
- ◆ Twist Lock Cable Into Ends

Secure With #832 Set Screws (use 5/64 allen wrench)

- ◆ Custom Armored Cable Lengths Upon Request



	Length	Inside Diameter
PTDC (ends only)		
PTDC-7	7"	0.218"
PTDC-12	12"	0.218"
PTDC-18	18"	0.218"
PTDC-24	24"	0.218"
PTDC-36	36"	0.218"

8296 estimated wire allowance: Six 22 ga. stranded,
2 ea. 2 & 3 Conductor, 1 ea. 4-6 Conductor

WARRANTY:

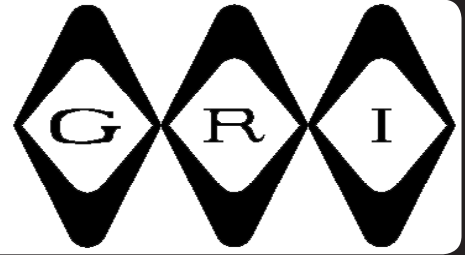
Lifetime warranty against workmanship, material and factory defects.

GEORGE RISK INDUSTRIES, INC.
G.R.I. PLAZA
KIMBALL, NE 69145



TOLL-FREE 1-800-445-5218 • 1-800-523-1227
(308) 235-4645
FAX (308) 235-3561
E-MAIL: sales@grisk.com
WEB SITE: www.grisk.com

POWER TRANSFER DEVICE WITH CUSTOM LENGTHS - TWO SIZES

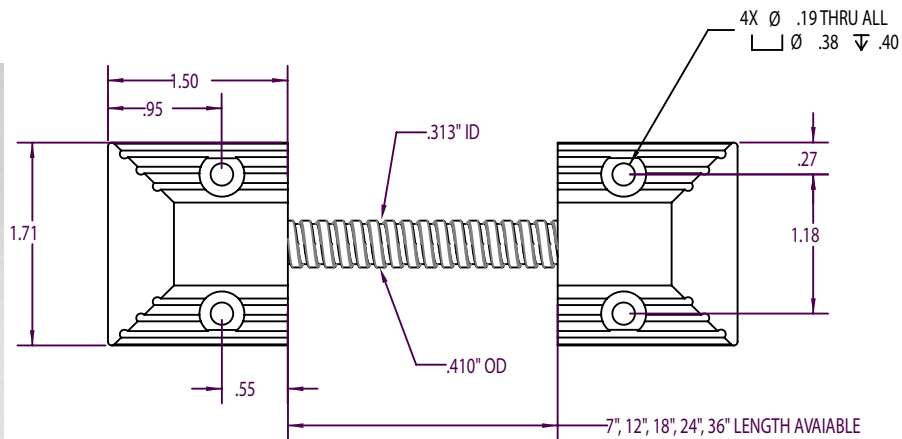


Large
size

- ◆ Heavy Duty Aluminum Ends
- ◆ 8449 Stainless Steel Armored Cable
- ◆ 0.313" / 7.94mm Inside Diameter
- ◆ 0.410" / 10.91mm Outside Diameter
- ◆ Includes Mounting Screws
- ◆ Twist Lock Cable Into Ends

Secure With #832 Set Screws (use 5/64 allen wrench)

- ◆ Custom Armored Cable Lengths Upon Request



	Length	Inside Diameter
PTDCL (ends only)		
PTDCL-7	7"	0.313"
PTDCL-12	12"	0.313"
PTDCL-18	18"	0.313"
PTDCL-24	24"	0.313"
PTDCL-36	36"	0.313"

8449 estimated wire allowance: Ten 22 ga. stranded,
5 ea. 2 Conductor, 4 ea. 3 Conductor,
3 ea. 4/5 Conductor, 2 ea. 6 Conductor

WARRANTY:

Lifetime warranty against workmanship, material and factory defects.

GEORGE RISK INDUSTRIES, INC.
G.R.I. PLAZA
KIMBALL, NE 69145



MADE IN U.S.A.

TOLL-FREE 1-800-445-5218 • 1-800-523-1227
(308) 235-4645
FAX (308) 235-3561
E-MAIL: sales@grisk.com
WEB SITE: www.grisk.com